



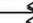



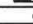
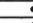



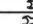









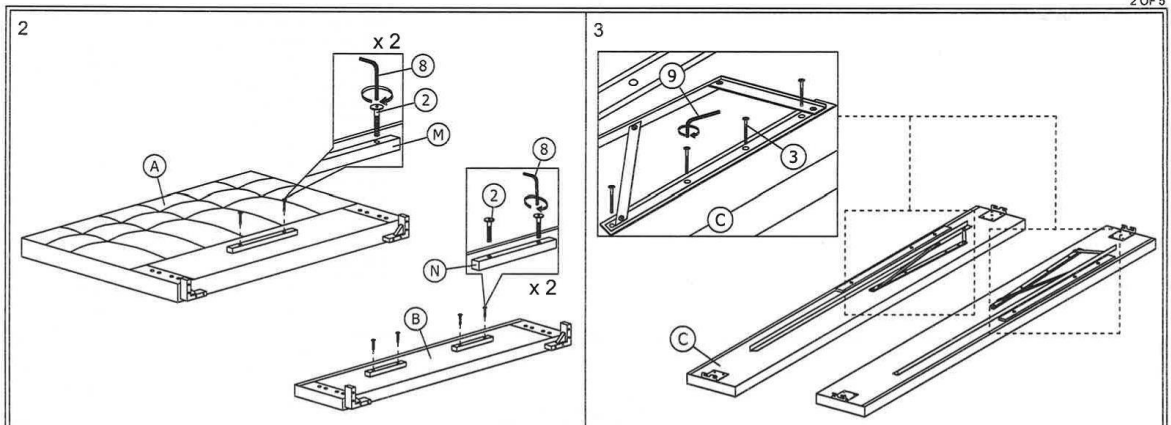
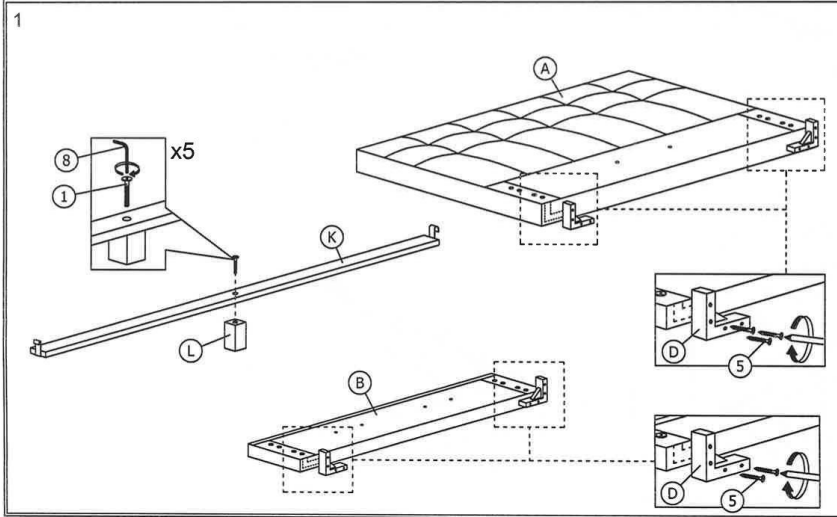
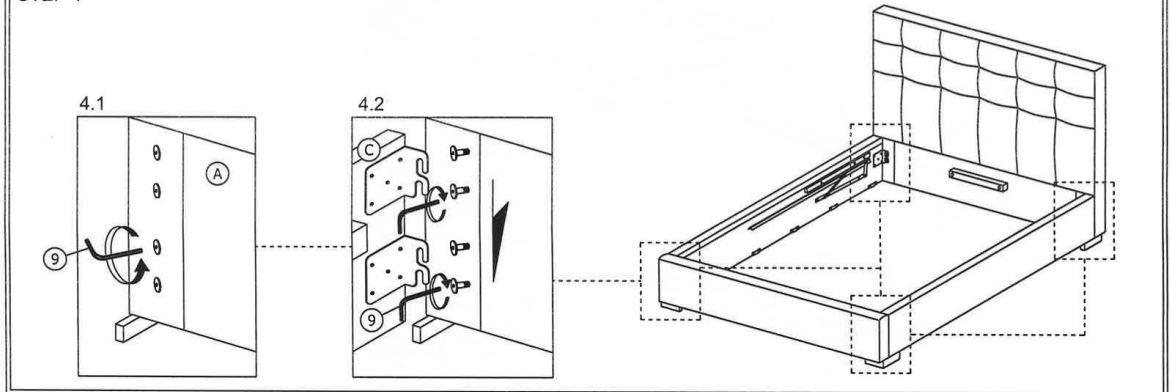
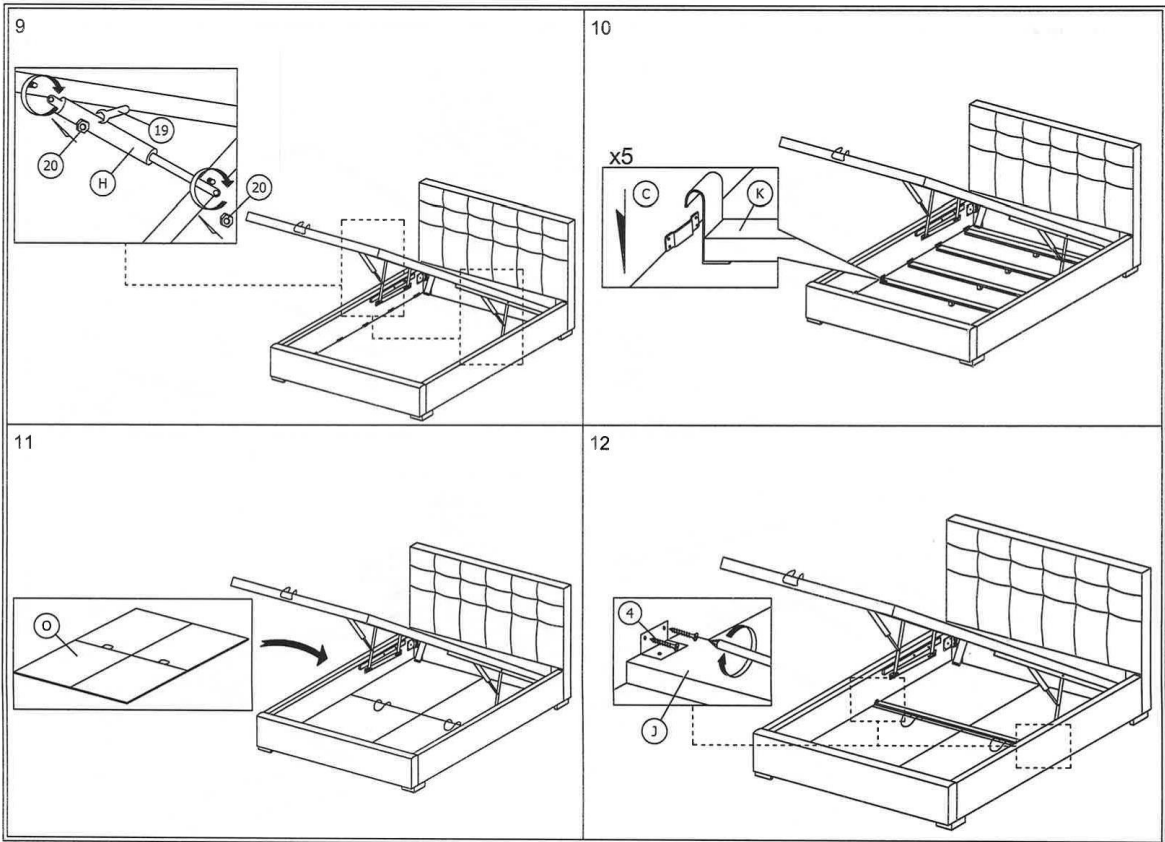
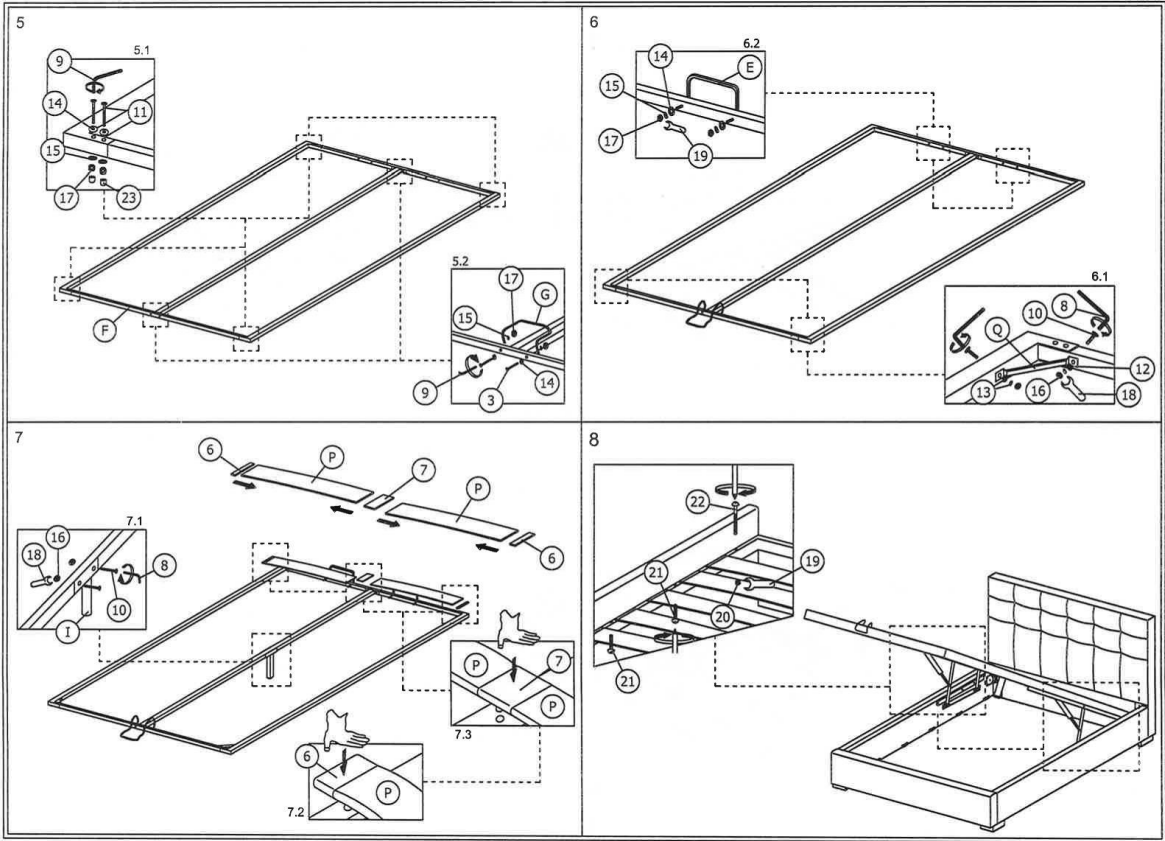


A	1 PC	1	M6 x 30mm		5 PCS
B	1 PC	2	M6 x 70mm		6 PCS
C	2 PCS	3	M8 x 40mm		12 PCS
D	4 PCS	4	M3.5 x 16mm		4 PCS
E	2 PCS	5	M4 x 45mm		10 PCS
F	1 SET	6			34 PCS
G	1 PC	7			17 PCS
H	2 PCS	8	M4		1 PC
I	1 PC	9	M5		1 PC
J	1 PC	10	M6 x 40mm		6 PCS
K	5 PCS	11	M8 x 70mm		8 PCS
L	5 PCS	12	M6		4 PCS
M	1 PC	13	M6		4 PCS
N	2 PCS	14	M8		16 PCS
O	4 PCS	15	M8		16 PCS
P	34 PCS	16	M6		6 PCS
Q	2 PCS	17	M8		16 PCS
		18	(10mm)		1 PC
		19	(13mm)		1 PC
		20			6 PCS
		21	M8 x 20mm		4 PCS
		22	M8 x 70mm		2 PCS
		23	M8		8 PCS

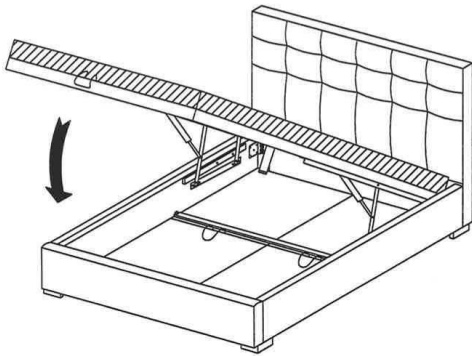


STEP 4





13



14

